

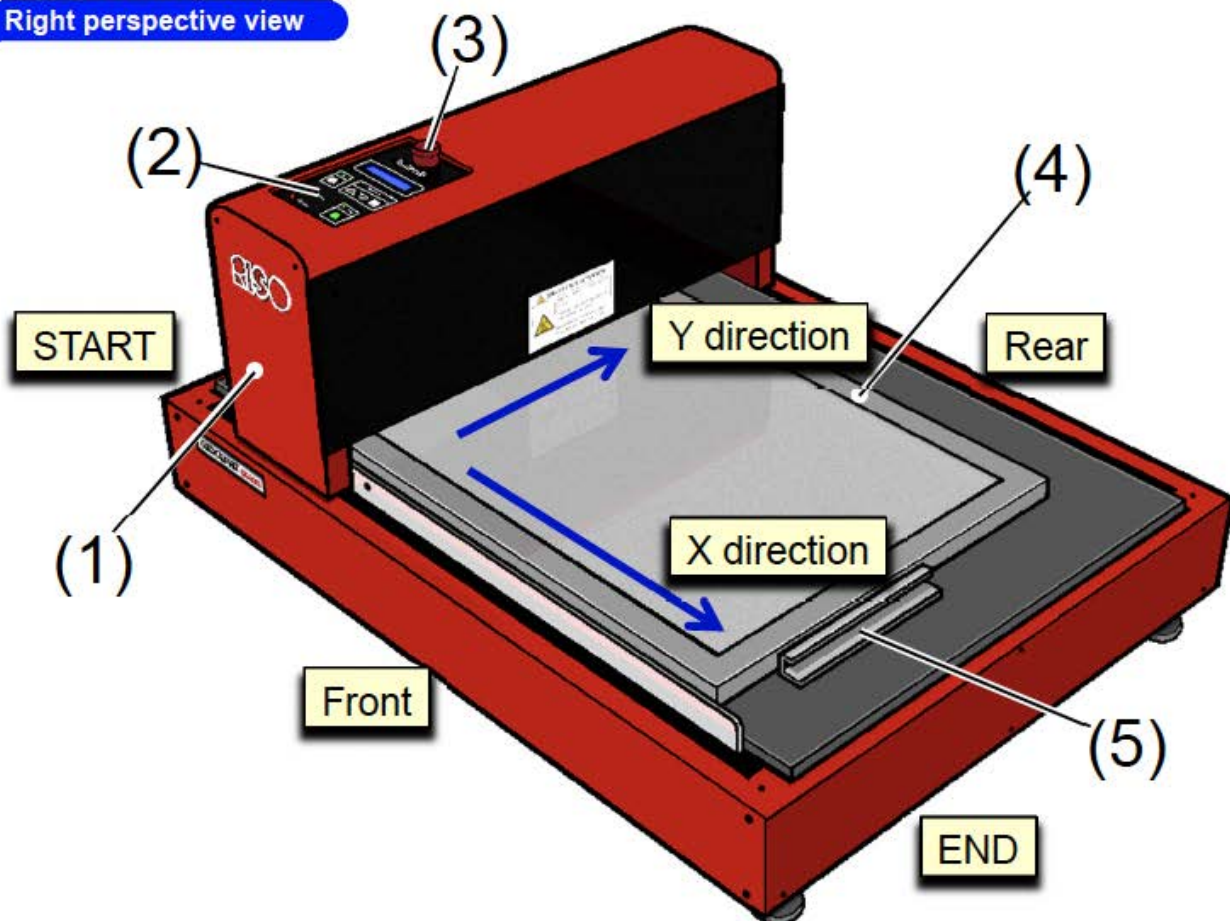
STEP BY STEP MANUAL

RISO Screen Printer GOCCOPRO QS200

Machine Parts

Main Unit

Right perspective view



(1) Head Mount Unit

Includes a thermal head and moves between the top and end of a screen frame.

(2) Operation Panel

You can operate the machine status display, image remaking, and machine setting change.

▶ Ref. "Operation Panel" page 26.

(3) <Emergency STOP> Switch (Emergency Stop Switch)

Press the Emergency STOP switch down to stop the machine.

Once the switch is pressed down, the switch remains depressed.

To release the halt, turn the knob clockwise to the original position, turn the power off, and switch it back on.

(3) Bouton <Arrêt d'urgence> (Bouton d'arrêt d'urgence)

Appuyez sur le bouton d'arrêt d'urgence pour arrêter l'imprimante.

Après que vous avez appuyé sur ce bouton, celui-ci reste enfoncé.

Pour relâcher le bouton, tournez-le dans le sens des aiguilles d'une montre jusqu'à sa position d'origine, mettez l'alimentation hors tension, puis sous tension.

(4) Screen Frame

Stretch RISO DIGITAL SCREEN QS MASTER/GRAY to the frame.

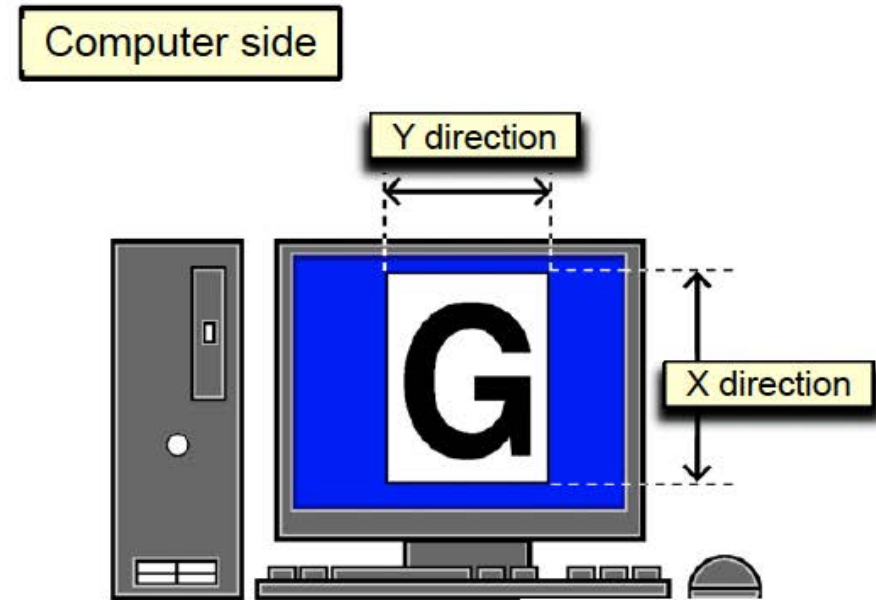
(5) Screen Frame Stopper

Sticks to the stage with a magnet to fix the end side of the screen frame.

UNDERSTANDING IMAGE DIRECTION

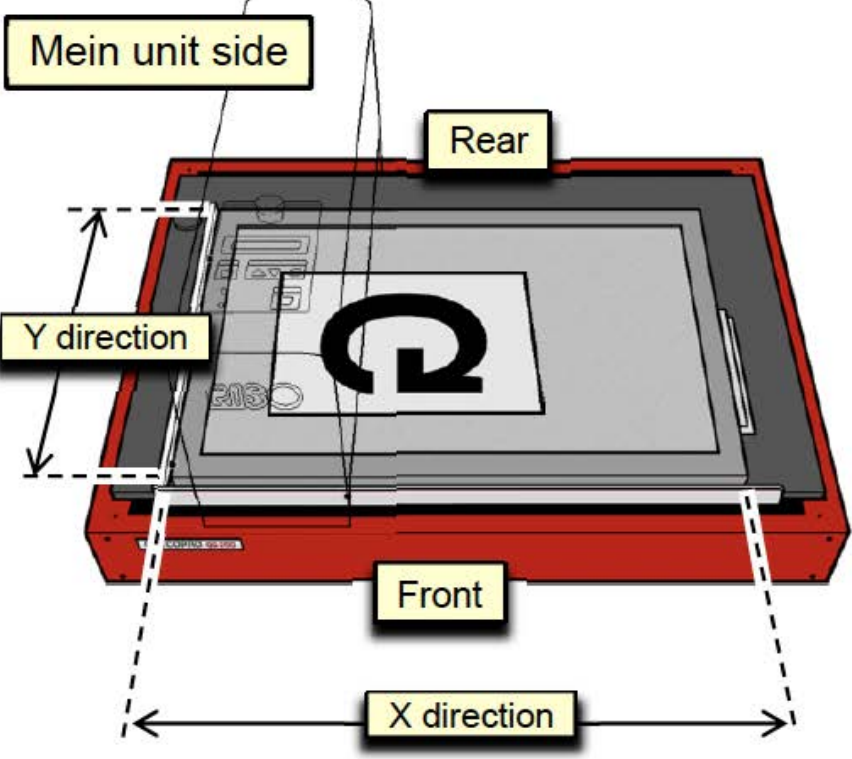
Image Direction

The relationship between the direction of the Artwork data created on the computer and the direction of the image transferred onto a screen is shown below.

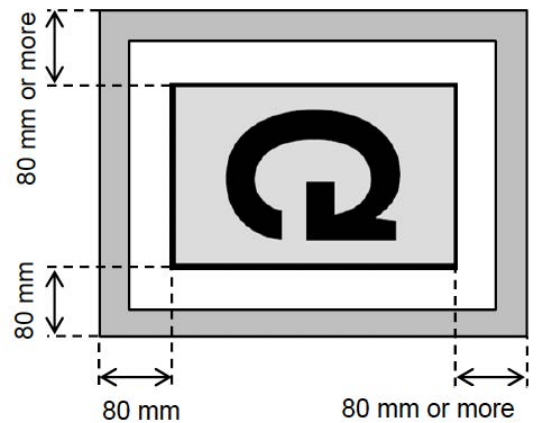


Your image is going to be printed in a mirrored way.

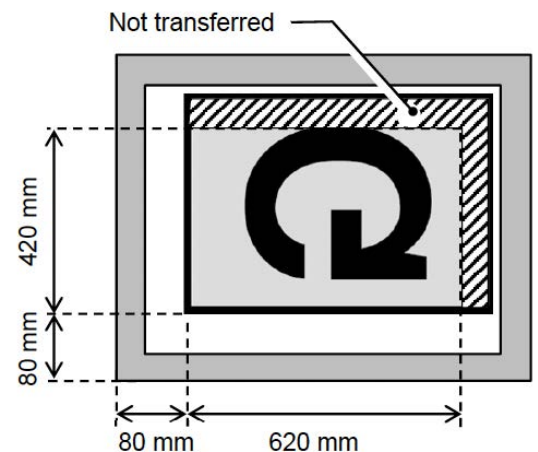
Leave 80 mm from the edges of the frames to your design (see below) and position it within that space in the print area.



YES



NO



STEP BY STEP MANUAL

RISO Screen Printer GOCCOPRO QS200

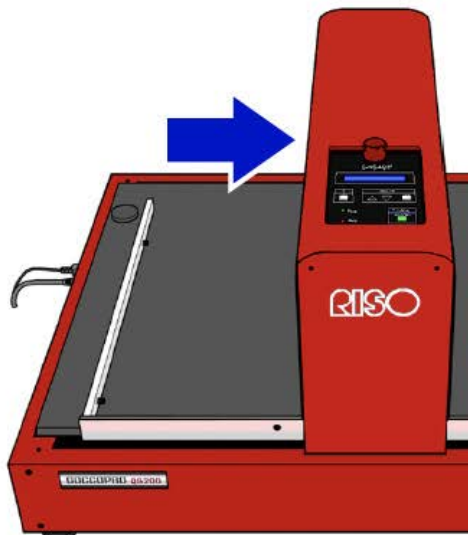
WORKFLOW

1. Preparing the screen

- 1 Position the screen frame against the three screen frame guides.



When it is hard to see the screen frame guides, move the Head Mount Unit by hand. After the image-making operation starts, the unit automatically returns to its home position.



- 2 Hold the screen frame with the screen frame stopper to prevent displacement of the screen frame.



70 mesh : Appropriate for textile printing such as T-shirts and towels, especially printing with coarse-grained ink such as gold ink.

120mesh : Appropriate for textile printing. Well-balanced for printing both fine text and solid images.

200mesh : Appropriate for fine-quality printing on materials like textiles, plastic, metal etc.

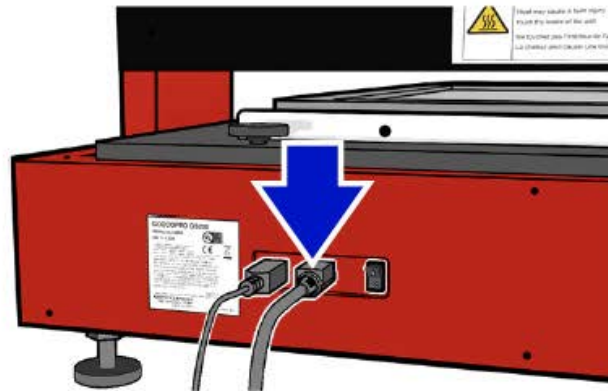
STEP BY STEP MANUAL

RISO Screen Printer GOCCOPRO QS200

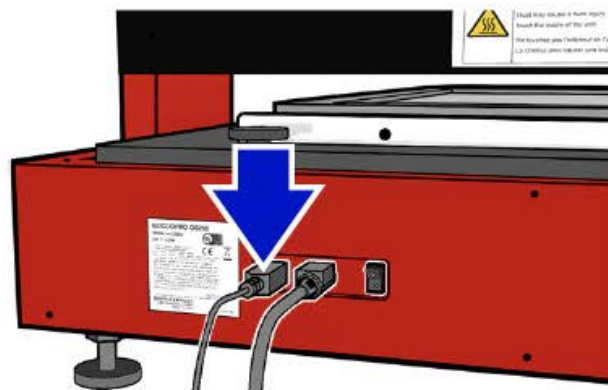
WORKFLOW

2. Preparing the machine

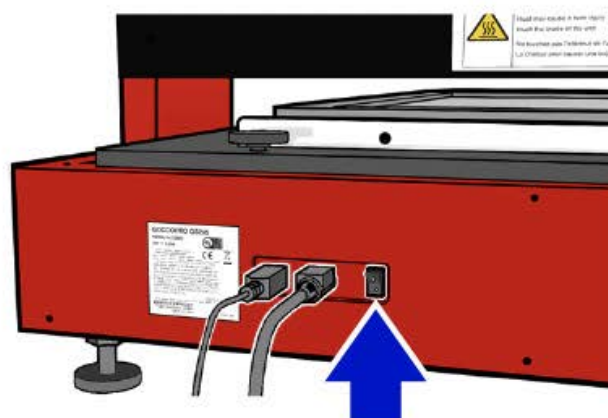
1 Connect the power cable to the machine.



2 Connect a USB cable to the machine.



3 Turn on the power switch of the machine.



STEP BY STEP MANUAL

RISO Screen Printer GOCCOPRO QS200

WORKFLOW

3. Sending your file to print

1.1

Create artwork data using an appropriate application on your computer.

1.2

Go to File < Print

1.3

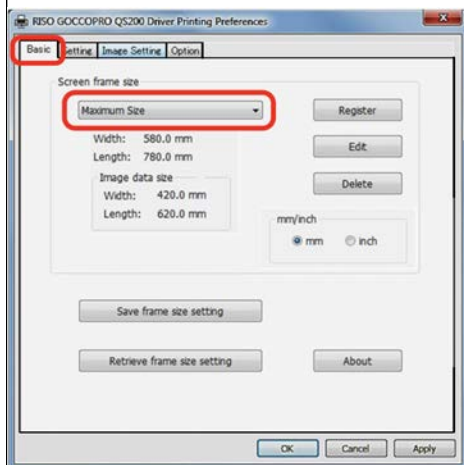
Select "RISO GOCCOPRO QS200 Driver" in [Printer Name].

1.4

Click [Properties]

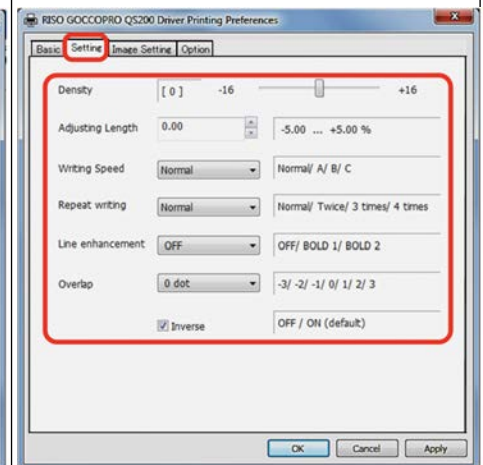
1.5

Set the image-making conditions.
[Basic] tab:
Select the Screen frame size from the pulldown menu.



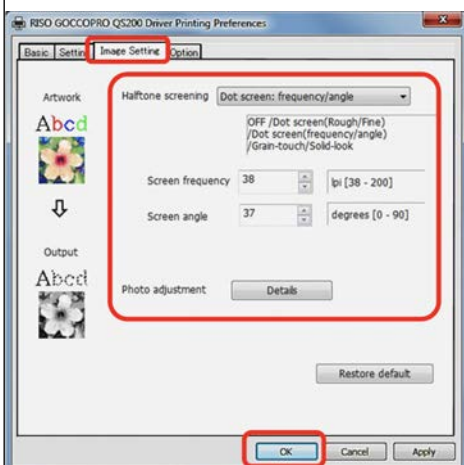
1.6

[Setting] tab:
Set the image-making conditions



1.7

[Image Setting] tab:
Set the image conditions.



1.8

When the settings have been made, click [OK].

1.9

When the dialog box returns to [Print] dialog box, click [Print].

The artwork data is transmitted from your computer to the machine